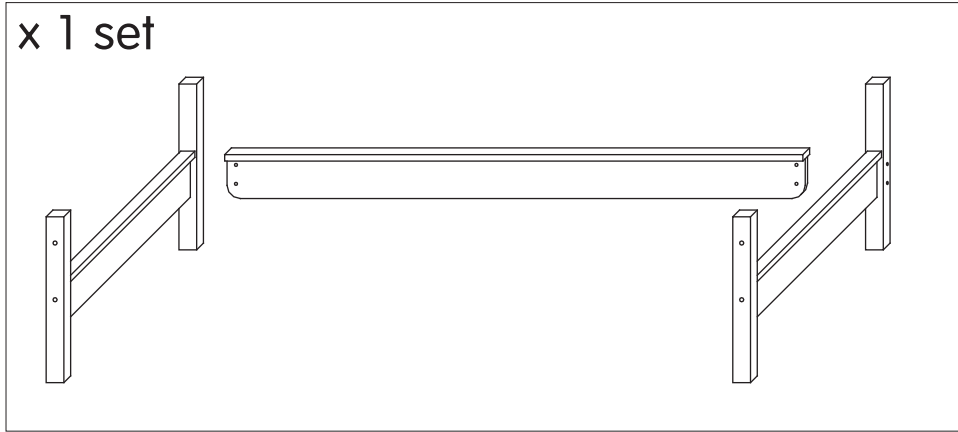


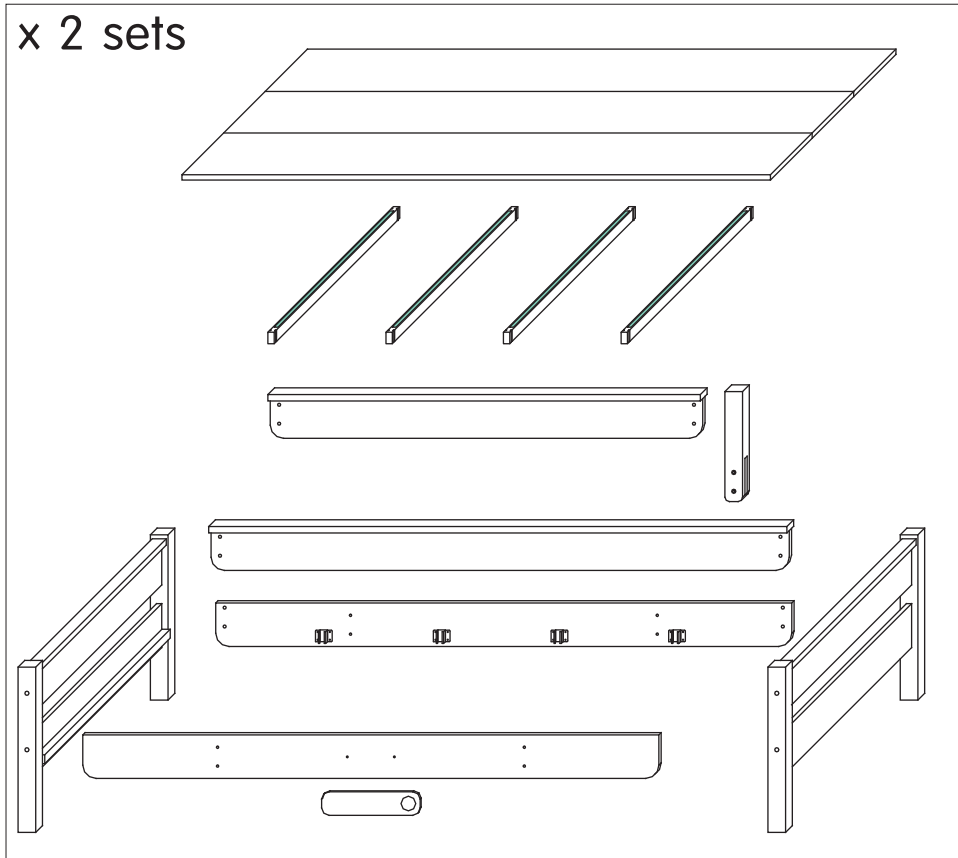
INSTRUCTION

[PARTS LIST]

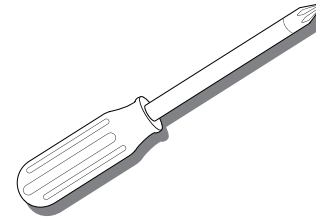
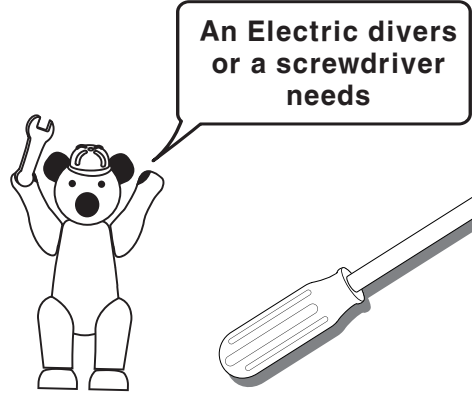
x 1 set



x 2 sets



WOODEN BEAR BED SERIE SUPER SINGLE TWIN BUNK BED



Soopsori Co., Ltd


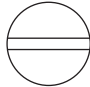
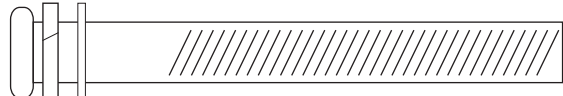
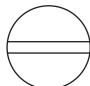
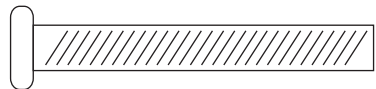
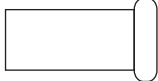
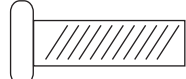
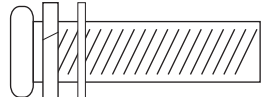
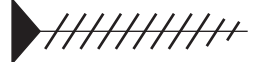
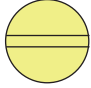
www.soopsori.com.cn

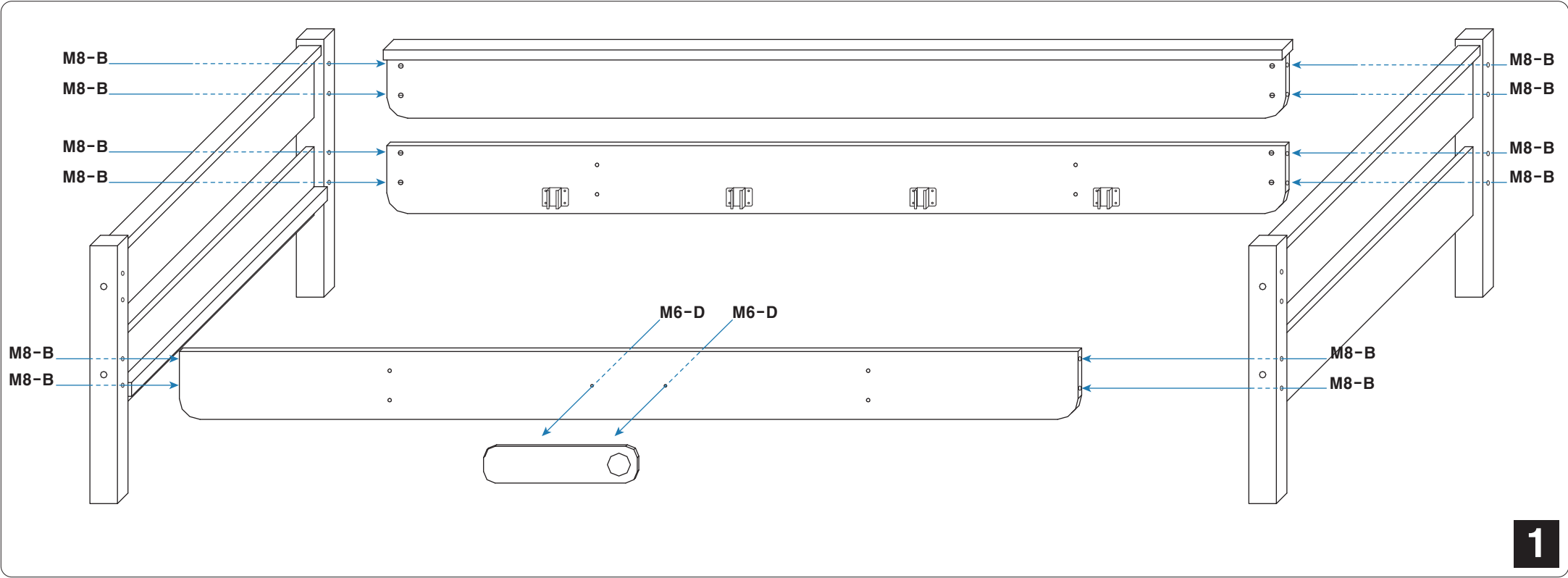
All rights resered

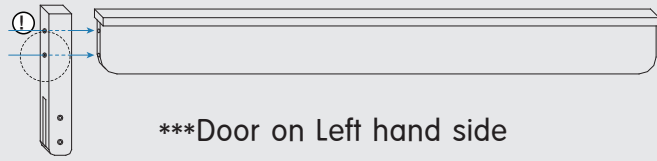
Designed by Soopsori Co., Ltd.

[Hardware list Bolts]

scale 1:1

- M8-A   **Z-A**
x 4 sets
- M8-B   **Z-A**
x 28 sets
- M6-C   x 6 sets
- M6-D  x 4 pcs
- M8-E  x 8 pcs
- PCS  x 36 pcs
-  **Z-B (2holes)** x 4 pcs





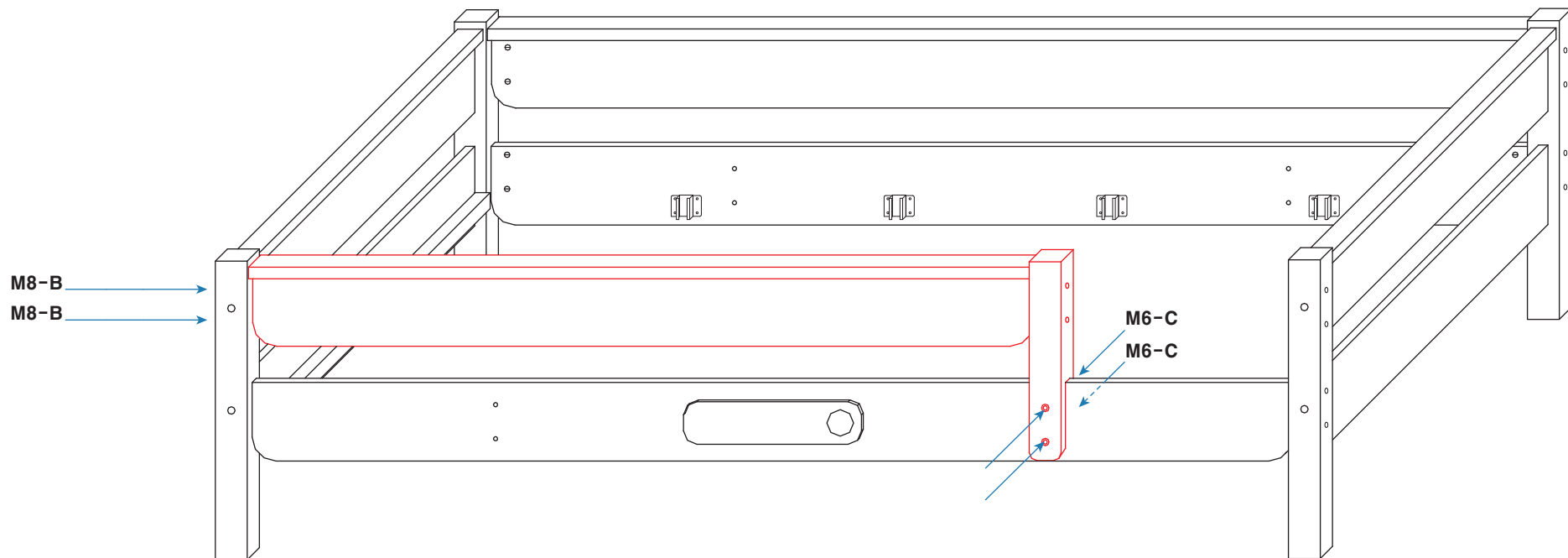
***Door on Left hand side



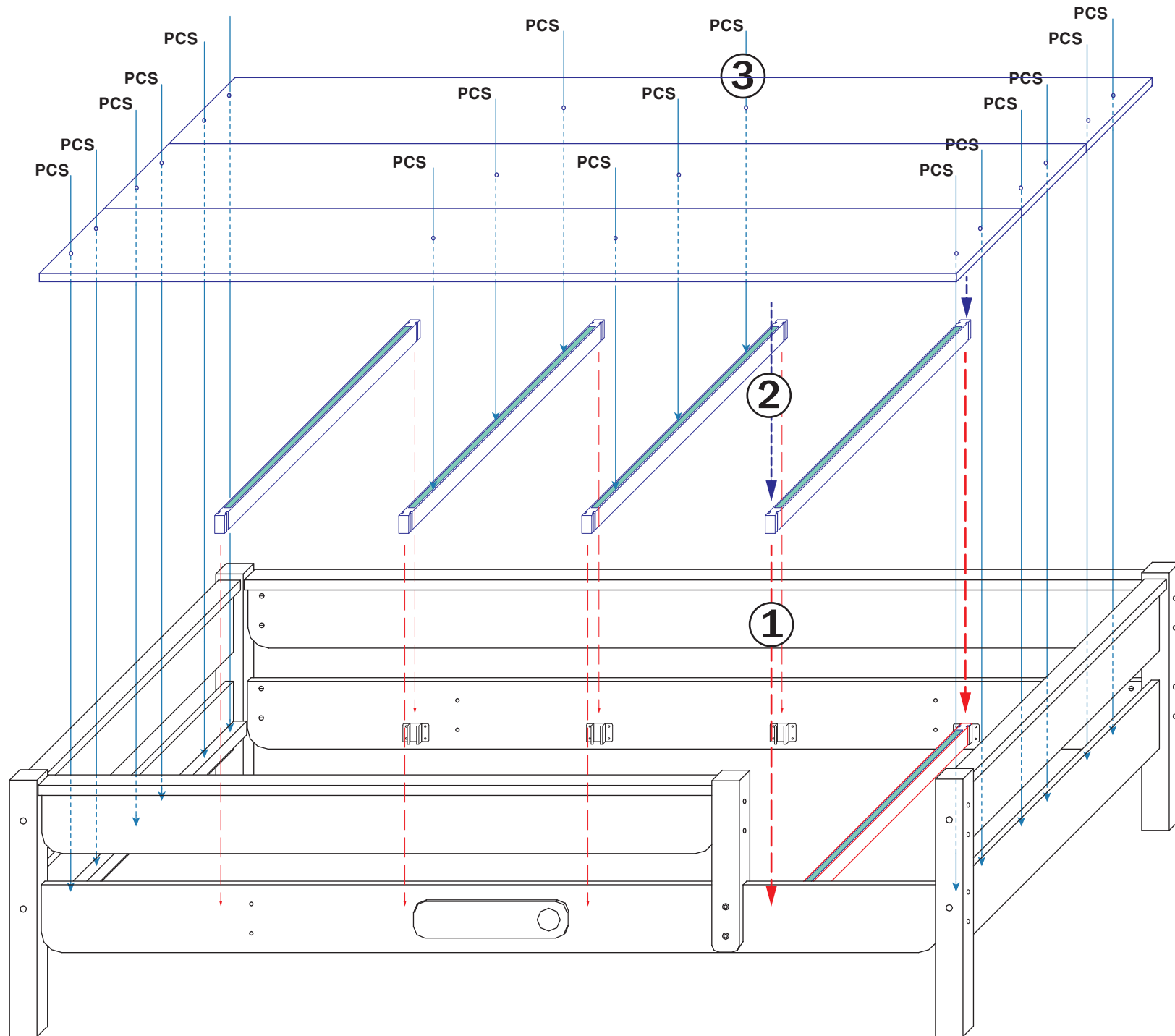
! Derection of Holes
● OK!!!
○ NO!!

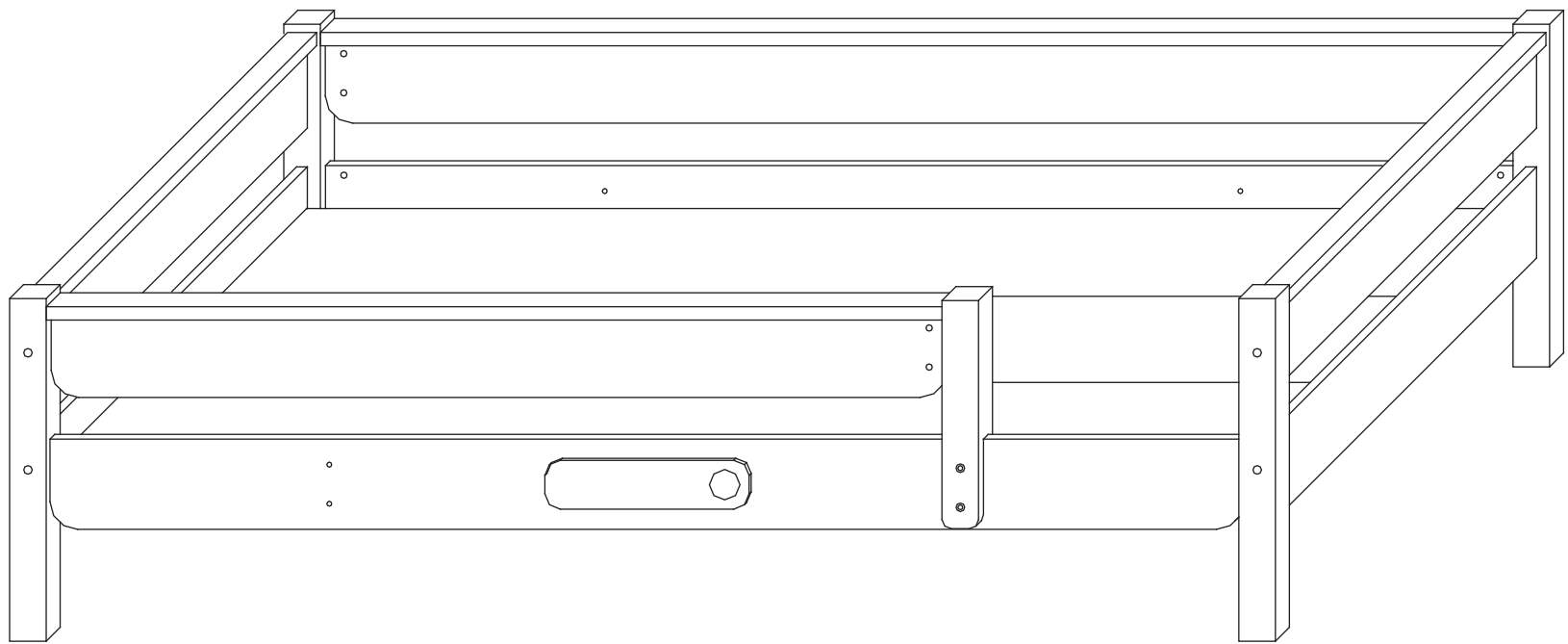
! Don' t screw M8-A before assembling the stair on the upper bed.
B5

2

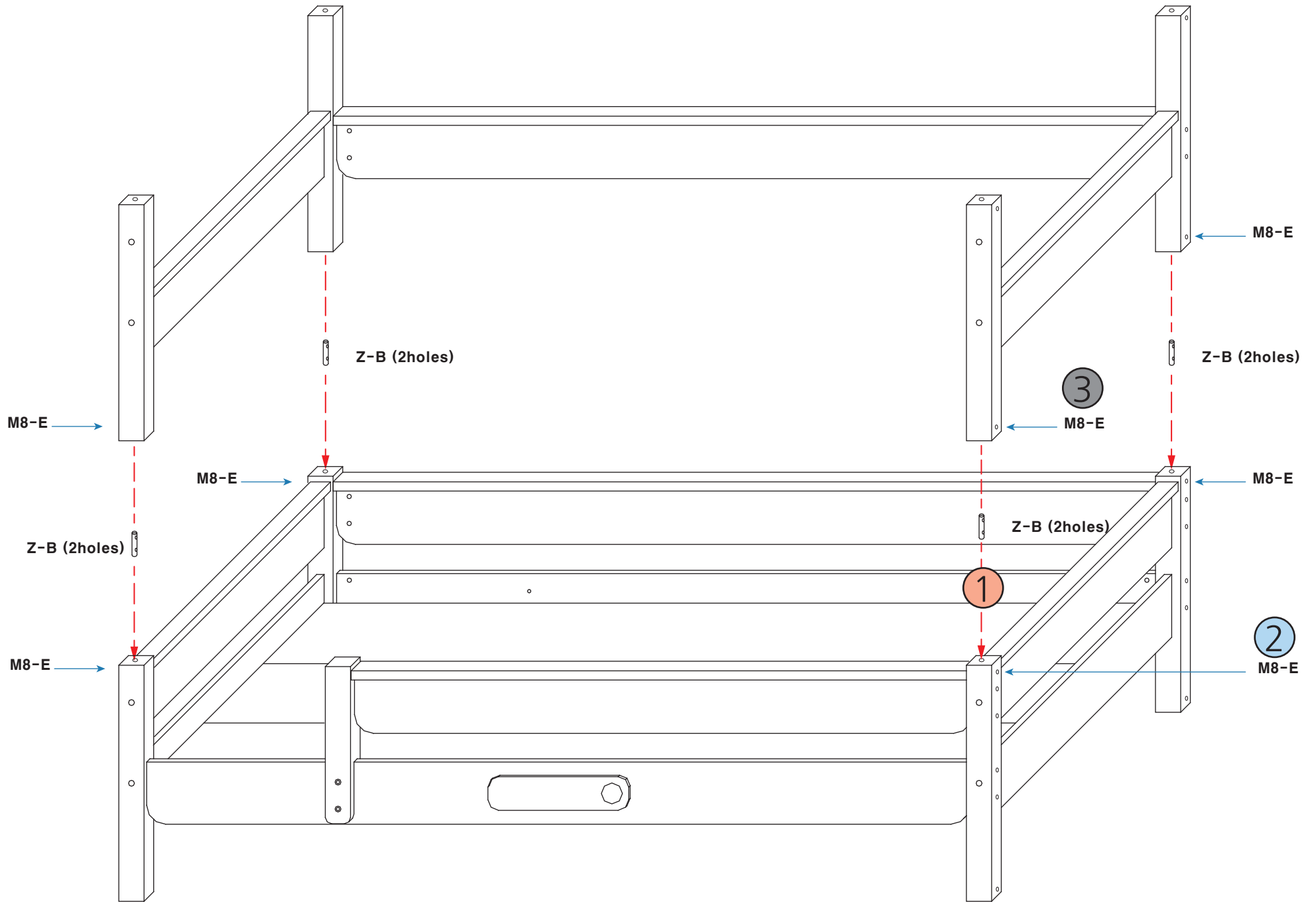


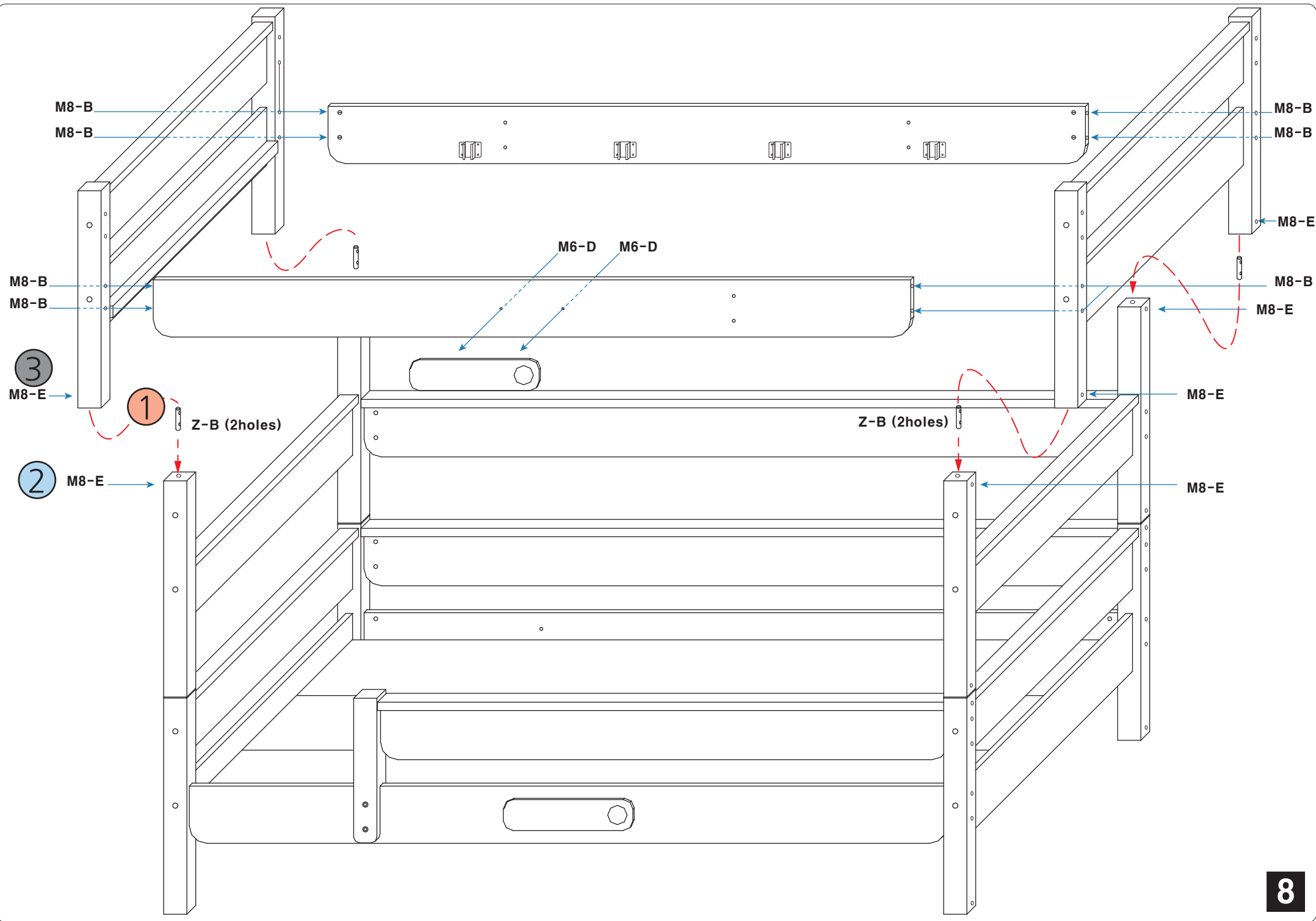
3











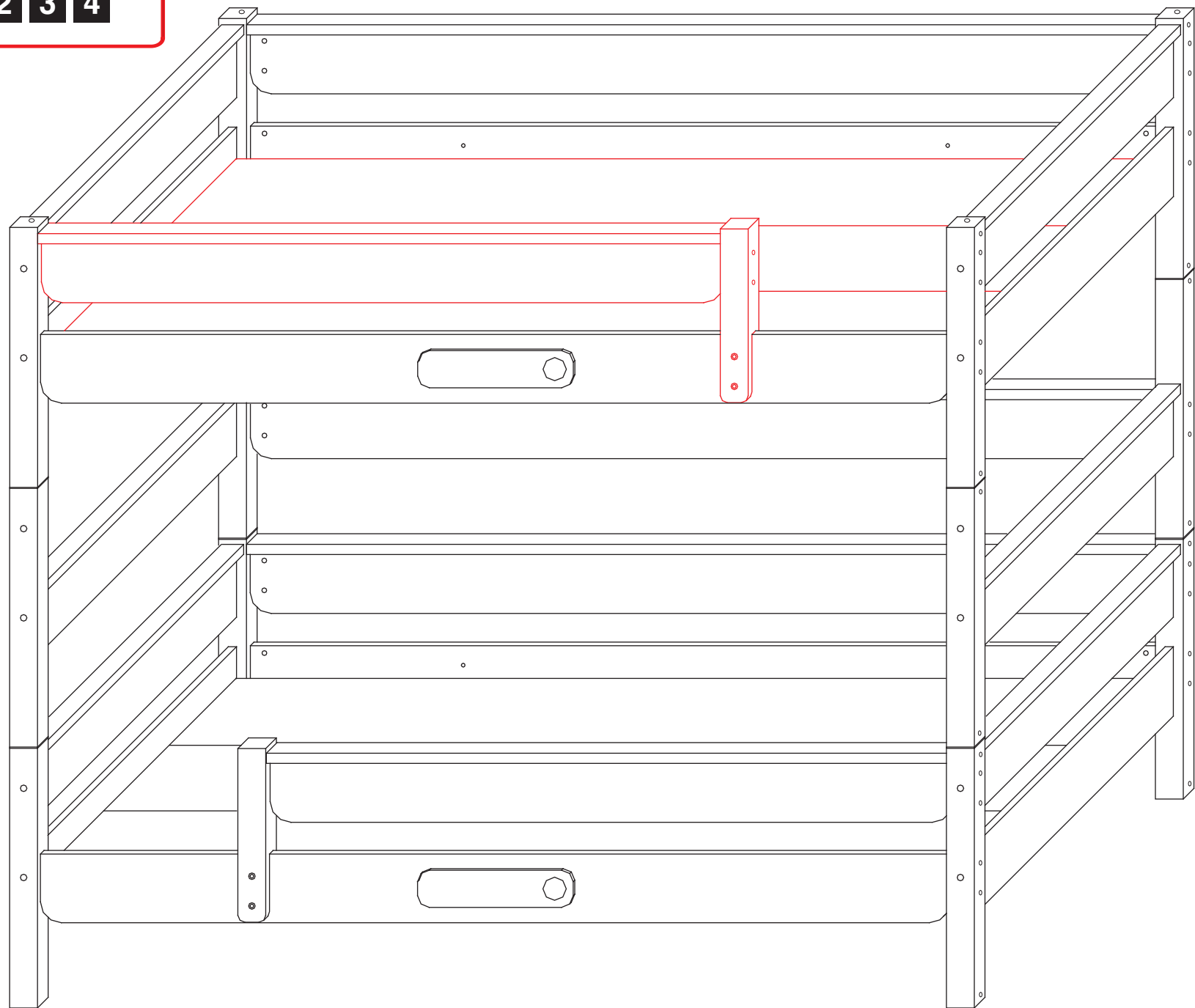


Follows

2

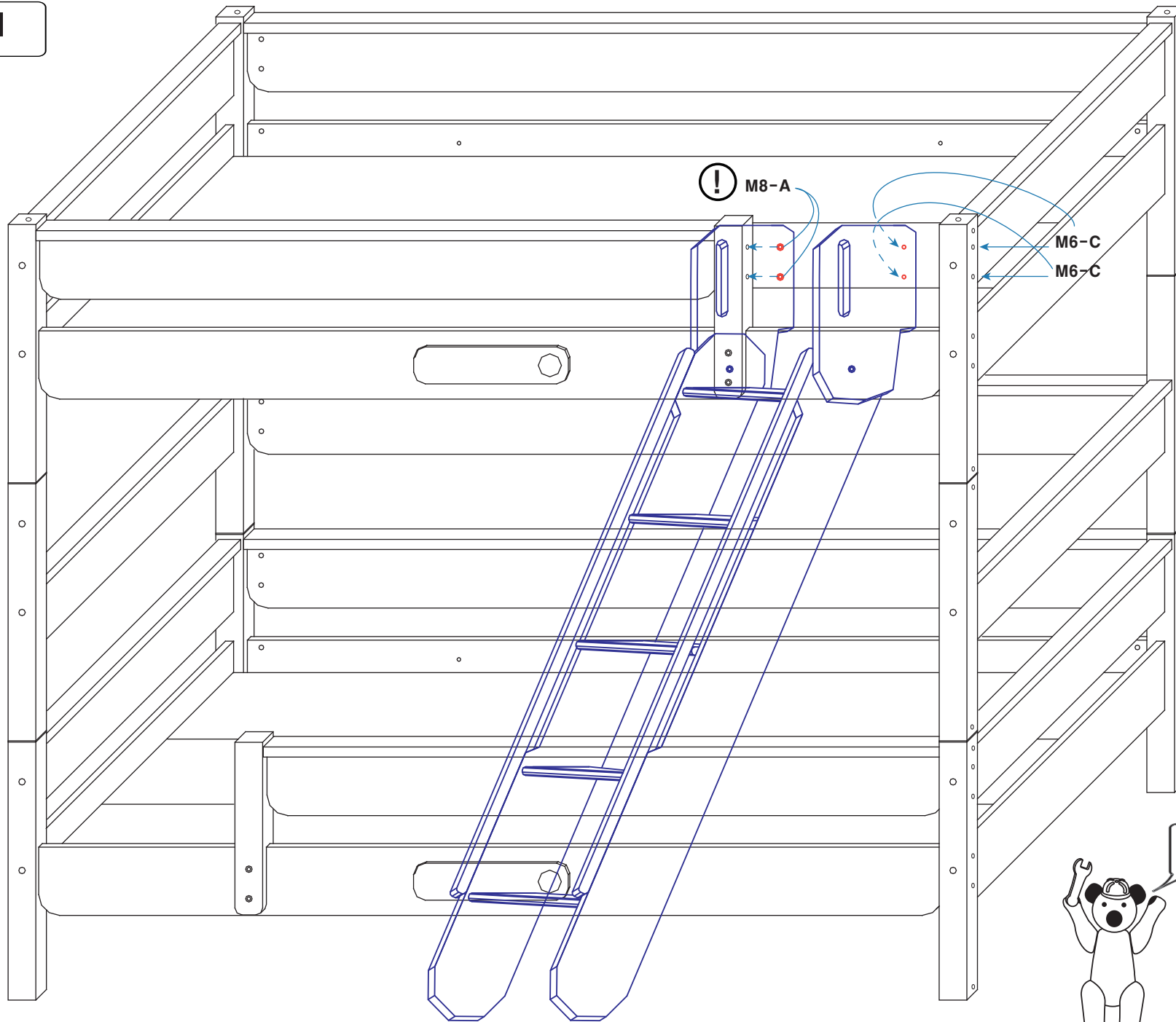
3

4





Please see **2**



! M8-A

M6-C
M6-C

Complete!!

